



**S H A M A N**



## Shaman.

Shamans, as people who possess superpowers, healers, sorcerers and keepers of the secrets of their ancestors, have always caused awe among ordinary people. However, their very existence is aimed at one thing - helping people.

Therefore, we gave our all-terrain vehicle the name "Shaman". Big and strong, but so responsive and ready to come to the rescue by water and land. It was created from scratch. Because this is the only way to combine a bright individual image with extraordinary design solutions, to give our all-terrain vehicle power on land and ease in overcoming water barriers at the same time. He is not afraid of snow and swamps, sands and mountains. He can be fast and unshakable on roads and plains, skilful but unhurried in the mountains and forests. Shaman. For the good of people.



Shaman during the expedition to Canin Nos, Arkhangelsk region



## Heart of the Shaman. Iveco F1C.

A reliable high-tech engine, like a human heart, serves as a guarantee of strength, endurance and longevity of the Shaman. We opted for Iveco diesel turbocharged engines that have proven their worth in commercial vehicles. The 3.0 liter F1C engine model, providing a maximum torque of 350 Nm from 1200 rpm, allows the all-terrain vehicle to drive off-road with a minimum stable speed of 2 km / h and easily reach a maximum of 70 km / h on paved roads. With impressive traction and dynamic performance, Iveco diesel engines have a very modest appetite. The shaman consumes an average of 25 liters of fuel per 100 kilometers. Many years of experience in operating all-terrain vehicles Shaman proves that one should not be afraid of modern diesel engines with a complex power system. Iveco F1C is suitable for

Russian diesel fuel, of course, provided that diesel fuel is used strictly in accordance with the season.



The layout of the chassis of the all-terrain vehicle Shaman

### **Ark of the Shaman. Transmission.**

All Shaman transmission units are arranged in a sealed displacement aluminum boat. To ensure normal thermal conditions, the boat is forcibly ventilated. Access to the transmission

units in the traveling mode is carried out from the cabin through quick-detachable floors.



## Strength of the Shaman. Suspension.

The independent suspension of the wheels provide the driving comfort and road versatility of the Shaman. The design on double transverse A-shaped levers with a separate spring and shock absorber ensures a smooth ride on rough terrain, comparable to a hovercraft.

The safety margin of the suspension elements inspires confidence in long-distance trips in severe off-road conditions. The original wheel gearbox allows the use of low-pressure tires with dimensions up to 1300x700 mm without the risk of damage to transmission components.



Independent suspension. Wheel gear



Welded body before painting

## The image of the Shaman. Steel body.

Such a large all-terrain vehicle required a special approach to the design of the body. After all, it is not enough to form a spacious habitable volume, it is important to ensure the strength of the structure at high, alternating, bending and shock loads on heavy off-road. It should be lightweight, durable, technologically advanced and maintainable.

The body of the snow and swamp vehicle Shaman is made of steel sheet. Laser cutting and bending of parts on a CNC machine provides 100% repeatability. Welding of body elements and final assembly of the structure is carried out in high-precision conductors.





AVTOROS MAX-TRIM tire in the «Swamp» mode, pressure 0.05 atm

## Traces of the Shaman.

### Low pressure tires.

Low pressure tires are the main part of every all-terrain vehicle. Without them, it is impossible to overcome water barriers and soils with weak bearing capacity. Only low-pressure tires do not damage the vegetation of swamps and tundra.

Such tires have a large volume and are able to work up to near zero values of internal pressure. In motion, the sidewalls of the tire evenly fold and form an enlarged contact spot with the surface.

On denser soils and public roads, the pressure is adjusted depending on traffic conditions. The higher the speed and load on the wheel, the higher the working pressure should be.

The optimal choice for the operation of the Shaman all-terrain vehicle are wheels with tires AVTOROS MAX-TRIM 1300x700 mm or ROLLING STONE

1340x660. With them, the all-terrain vehicle reveals its full cross-country potential.

ROLLING STONE is a tire for virgin snow with a saturated directional tread pattern 12 mm high.

MAX-TRIM is a universal tire with a directional unsaturated tread pattern with a height of 20 mm. It is recommended for water obstacles and the most serious off-road conditions without exploitation on public roads.

However, at the request of the Customer, it is possible to use AVTOROS X-TRIM 1200x600 mm tires of reduced size. With them, the Shaman fits the acceptable dimensions for driving on public roads.



Rear wheel steering



Crab mode

## Steering. Rear wheel steering. Crab mode.

Snow and swamp vehicle Shaman has a unique steering system. The driver can choose between three modes: front axle rotation, rear wheel steering and crab mode.

Front axles rotation is applied at speeds above 30 km / h. Rear wheel steering gives the six-meter all-terrain vehicle high maneuverability and is recommended for driving in narrow spaces.

Crab mode - is the mode of rotation of all wheels in one direction. On weak soil, swamps, loose snow, this mode is especially useful. Each wheel goes on its own individual track and does not allow the rear of the all-terrain vehicle to fail. Switching between steering modes is carried out while driving.



Movement in rear wheel steering mode





Daytime running lights and dipped beam



Rear light. Parking light

## Eyes of the Shaman.

### LED optics.

When driving outside public roads, especially in difficult weather conditions and at night, effective and reliable light is very important.

LED modules of the world famous company Hella are used as the main optics on the all-terrain vehicle Shaman. They are distinguished by increased light output with absolute dust and moisture protection and a high level of energy conservation. Additionally, depending on the preferences of the Customer, the Shaman is equipped with headlamps, light beams, working lighting.



Hella head diode light



## Tools of the Shaman. Dashboard.

The creators of the Shaman paid special attention to the devices and control panels of the all-terrain vehicle. The instrument cluster includes a digital tachometer, speedometer, gauge for coolant temperature and oil pressure. The LCD displays show all the necessary information: odometer, voltage in the on-board network, hour meter, fuel level. The devices themselves are original and are a real decoration of the driver's workplace. Management of automatic inflation of wheels, transmission locks and a choice of steering modes are made on the original remotes - membrane keypads. A quick glance is enough to understand all the basic cross-country functions. Lighting and accessories are controlled by familiar car steering column switches and convenient buttons with indicators made by Hella.

Dashboard. Transmission and tire inflation control panels

## The inner world of the Shaman.

### The interior of the «Hunter» version.

The future owner of the Shaman can plan the all-terrain vehicle interior in his own way and choose the materials and color of decoration. The number of seats and the length of the folding sofas can vary.

The cabin is equipped with lockers, a safe for weapons, lodgements for special equipment. Also in the list of

additional equipment there is a roof air conditioner and an exhaust fan in case of using a gas stove. Ceiling, seats and sofas are decorated with high-quality textile materials, artificial or genuine leather.

In addition to standard trimming colors, an individual color scheme for your all-terrain vehicle can be developed.

A distinctive feature of the Hunter cabin is folding sofas along the sides. They accommodate a maximum of 8 passengers. Unfolded, it turns out to be a sleeping place for four people.



“Hunter” version with a folding table and multifunctional lockers

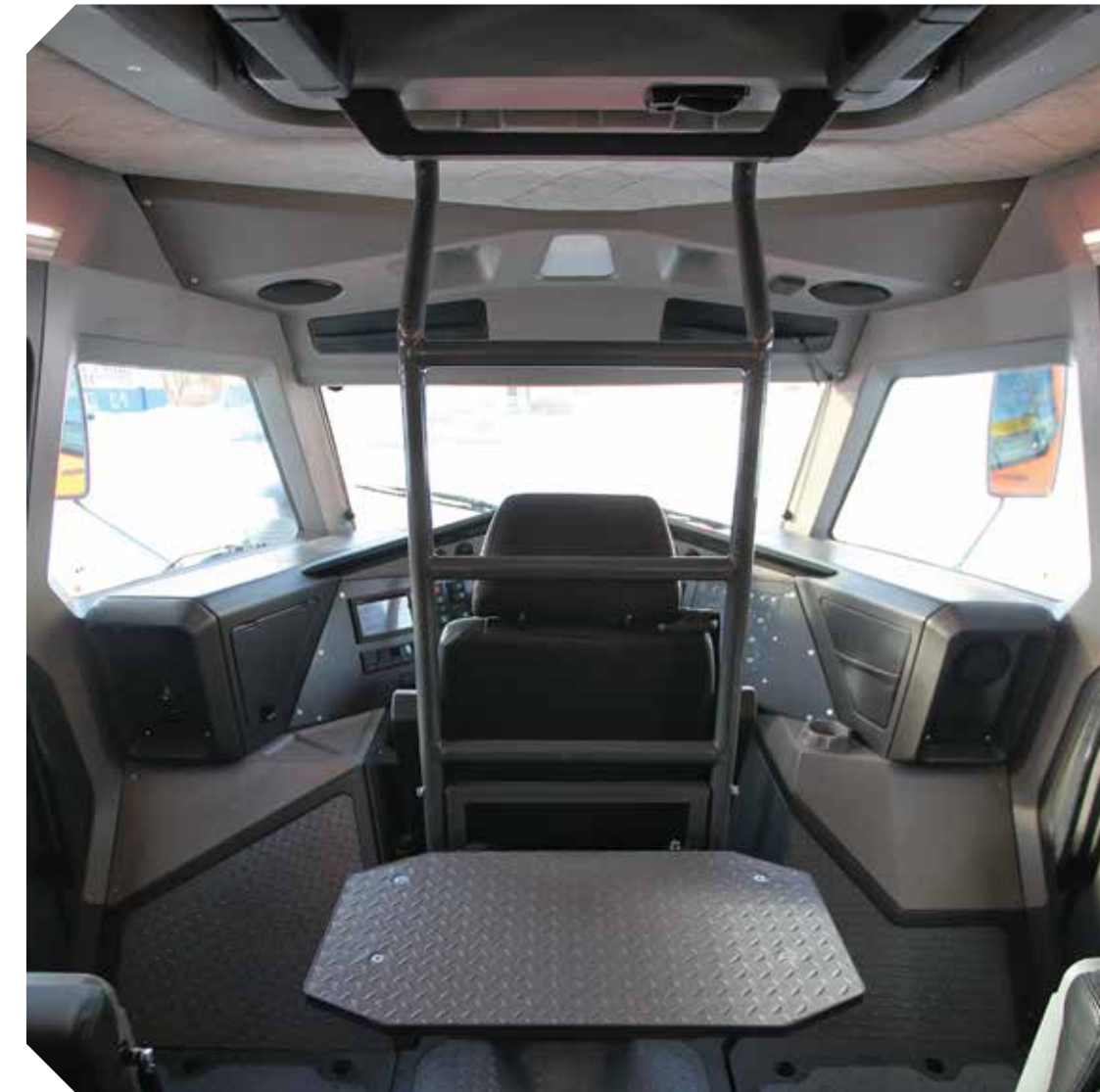


Passenger seats inside the «Tourist» version

## Interior of the «Tourist» version.

There are six comfortable armchairs with armrests, handles, nets for small items and folding tables in the backs in the cabin. Near the side doors are seats with lifting seats, which facilitate access to the salon. The peculiarity of the layout of the “Tourist” cabin is its spacious duffel lockers-wardrobe trunks with soft lifting covers-armrests, divided in a ratio of 1 to 3.

An evacuation ladder / shooter platform, or an additional chair with a lifting seat can be added to the interior of any cabin layout.



Evacuation ladder / table / shooter platform



Moving up in the snow

## The master of the elements. Snow.

The Shaman decisively storms the snowy obstacles. It should be noted that over a hundred types of snow are known and each of them requires its own approach to driving an all-terrain vehicle. Automatic inflation of wheels and various transmission differential lock options, multiplied by driving experience, allow the owner of the Shaman to go on long snow trips.





## Swamp.

The Shaman is a true conqueror of swamps. Where a man risks falling into a shaky slush, the Shaman confidently moves through the swamp. Thanks to low pressure tires with a minimum pressure of 0.05 atm, the Shaman does not damage the fragile moss of the swamp. And if you need to move along broken bog tracks, eight driving wheels, differential locks, a reduction gear and, in extreme cases, a powerful hydraulic winch will help out.





Leaving the water

## Cross Country.

Dynamic cross country riding is Shaman's favorite element. The eight-wheel design smooths out bumps, and the energy-intensive suspension dampens vibrations. A sudden water barrier is not a problem, small obstacles can be overcome on the go. If at the same time a reasonable speed was exceeded and water, through the hood got into the boat, an automatic water pumping system would help. There is an additional drain system, controlled from the driver's seat.



Propeller screw

## Water.

The Shaman won't give up in front of water obstacles. A quick-release hydraulic propeller is designed for overcoming them. It should be installed on the rear of the boat before entering the water, and after leaving the water it should be immediately dismantled.

The Shaman can move in the water at a speed of 2 km / h by rotating the wheels. The propeller provides a speed of up to 7 km / h.

In any case, the rules of driving in the water should be observed, especially in conditions of tangible flow and waves.



Shaman afloat





## Steppe.

The snow and swamp vehicle Shaman was tested by the steppes of Kazakhstan in the conditions of the spring flood of rivers, salt marshes and lots of mud obstacles.

Our vehicles regularly participate in expeditions of the Russian Space Agency to meet the crews of the International Space Station.



## Forest.

In the forests, the impressive dimensions of the Shaman are not an obstacle to maneuvering among the trees. The “Rear wheel steering” mode gives the all-terrain vehicle significant maneuverability, and the Shaman easily overcomes the fallen logs. Composite body kit perfectly protects the body from bumps on tree trunks and branches. In the full absence of a road, the Shaman will confidently make his way through the thickets of shrubs and medium-sized trees.





## Highlands.

In the mountains, the Shaman all-terrain vehicle brilliantly uses its abilities to confidently go up and down any hill and mountain. A large tipping angle allows him to pass dangerous places, guaranteeing safety for passengers. Thanks to the strength characteristics of Avtoros tires Shaman is not afraid of sharp stony rocks. Unlike many low-pressure tires, Avtoros tires are highly puncture resistant due to a more durable construction and high-quality materials. If, nevertheless, the tire is damaged, it can be quickly repaired with the help of our repair kit. In the most severe cases, an automatic wheel inflation system will help out: by disabling all serviceable wheels, you can continue your journey to the repair site.

## Desert.

The key to survival in the desert is in stable and balanced operation of the whole organism.

Besides the obstacles that the Shaman is used to, there are also extremely high temperatures in the desert.

A modified engine and transmission cooling system and an increased power cabin air conditioner are the features that distinguish Shaman all-terrain vehicles designed for operation in the desert.

AVTOROS low-pressure tires, regardless of the chosen model, are reliable in a wide range of operating temperatures due to innovative compositional characteristics and construction safety margins.





## The Many-Faced Shaman. Modifications.

Thanks to a convenient and spacious cabin, the Shaman is used in a wide variety of areas: ambulance services, search and rescue operations,

monitoring services for the oil and gas and energy industries, hunting farms, military sectors and tourism.



Versions of all-terrain vehicles for various purposes



Lighting and trailer accessories



Trailer suspension

## Trailer.

No matter how spacious the Shaman's cabin is, there is always some extra load to put into the trailer. For the Shaman, we offer a specialized trailer with a loading capacity of 800 kg, with folding sides and a PVC tent, the trailer is made in the same color scheme with an all-terrain vehicle.

A galvanized steel frame, profiled aluminum sides, a suspension on pneumatic cylinders, carefully selected accessories are the guarantee of a high-quality product that can benefit its owner for a long time.

The trailer is equipped with AVTOROS X-TRIM 600 / 55x21 low-pressure tires. It is possible to manufacture a trailer according to individual customer requirements.

Please note that in conjunction with the trailer it is impossible to overcome water barriers!



All-terrain vehicle Shaman with trailer



Foam rubber floor carpets



Raptor Body Coating

## Style of the Shaman.

The exclusivity of the Shaman is emphasized by the textures of materials of external and internal decoration. Outside, the roughness of the Raptor protective and decorative coating is noteworthy. With this coating the Shaman is not afraid of scratches and chips. Neither branches of trees, nor stones can do the protective shell of the vehicle body any harm. Inside, the noble textures of natural or high-tech artificial leather give the feeling of coziness. The interior is decorated with branded diamond-shaped stitching, and the seats can be decorated with embroidered branding. The flooring is complemented by beautiful and practical carpets, made in a common color scheme.



Shaman logo embroidery on leather seats



## Service.

### All-terrain vehicle driving training.

Avtoros offers its customers a training course in the driving and maintenance of the Shaman. Knowing the details of using such a sophisticated vehicle will save you from any trouble in the future.

### Maintenance.

Avtoros offers a unique service option for its all-terrain vehicles. The owner of the Shaman anywhere in Russia can count on our specialists who will go to his place for both routine service procedures and complex repairs. Specify the details and terms of the service contract in the sales department. Popular spare parts and consumables are always available at the manufacturer's central warehouse.

### Delivery.

Over the years of all-terrain vehicle sales in Russia and the CIS countries, we have worked out optimal schemes and methods for delivering all-terrain vehicles: freight and container transportation. The "Shaman" all-terrain vehicle is transported in a standard truck or in a 40HQ container after preliminary dismantling of the wheels and wheel arch extensions. Delivery and unloading takes place under the supervision of our specialists. Delivery times to different regions depend on the chosen transport company.

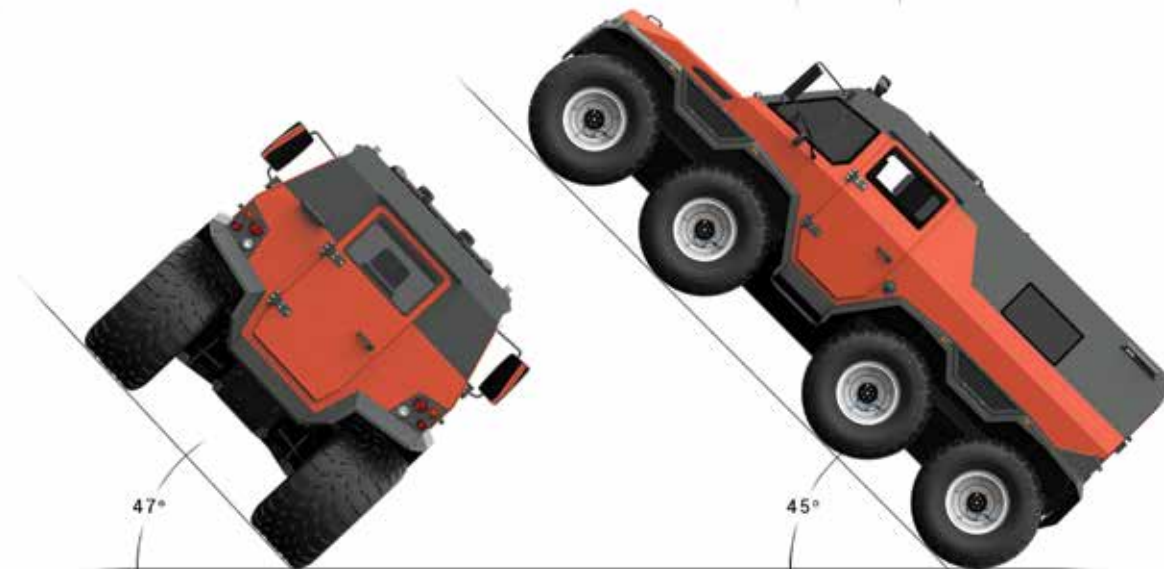
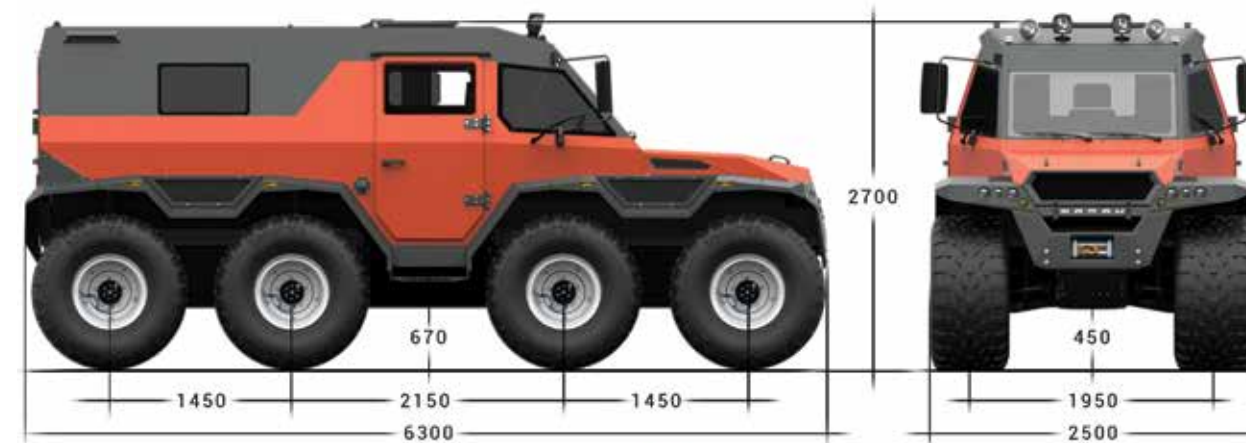
### Warranty.

The warranty period for the "Shaman" all-terrain vehicle is 12 months or 10,000 km from the date of sale, depending on which event occurs earlier.



## Technical details.

Model of snow and swamp vehicle	AR-3983 «SHAMAN»
Wheel arrangement	8x8
Type of construction	All-metal body on a carrier displacement boat
Number of seats, people	1+8*
Number of sleeping places	4 (in the «Hunter» version)
Structural weight, kg	4800
Allowed maximum weight, kg	6300
Overall dimensions L/W/H, mm	6300/2500/2700
Ground clearance, mm	450
Track, mm	1950
Tipping angle, degrees	47
Maximum rise, degrees	45
Longitudinal radius of passability, mm	1700
Engine model	Iveco F1-C, 3,0TD
Horsepower	146
Maximum torque, Nm	350
Fuel type	Diesel
The volume of fuel tanks, l	260
Average fuel consumption, l/100km	25
Transmission	Mechanical, 6-speed
Transfer case	2-speed, 5-shaft, with a lockable differential and connectable 1 and 2 axles, with power take-off shaft
Steering	Hydraulic, with hydraulic cylinders as actuators
Axles	UAZ Spicer axles
Wheel gear	Original
AVTOROS low pressure tires	X-TRIM 1200x600-21, MAX-TRIM 1300x700-21, ROLLING STONE 1340x660-21
Wheel disks, inch	19x21 (X-TRIM, ROLLING STONE tyres), 23x21 (MAX-TRIM tyres)



\* - it is possible to manufacture the interior design with a capacity of up to 12 seats, including the driver



8 800 775-86-22 - toll-free call in Russia  
+7 (495) 255-52-21  
sale@avtoros.info



[avtoros.info](http://avtoros.info)



[facebook.com/avtoros](https://facebook.com/avtoros)



[youtube.com/avtoros](https://youtube.com/avtoros)



[instagram.com/vezdehod\\_avtoros](https://instagram.com/vezdehod_avtoros)